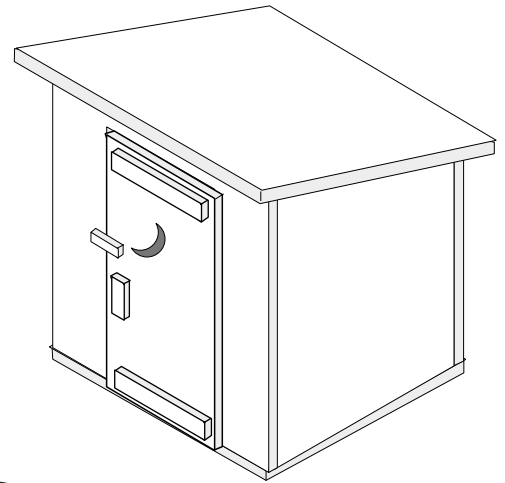
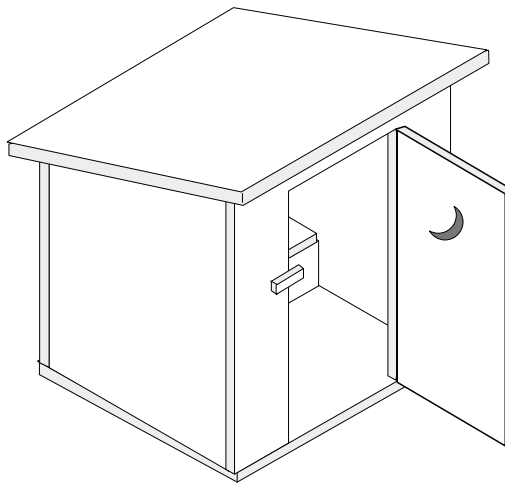
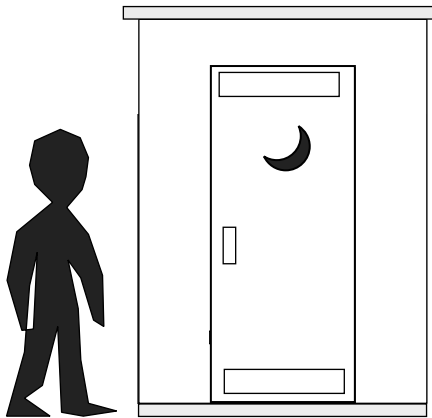
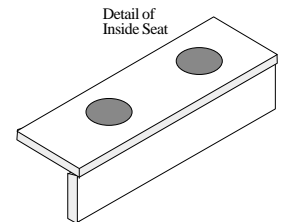


- Outhouse you can make from 1/8" wood to accompany your Garden Town buildings.
- Easy to read patterns and instructions



Door Options:
Install hinges purchased from a craft store for a working door or
Glue the door in an open position of your choice.



Detail of Inside Seat

It's a 2 holer for your convenience!

Supplies

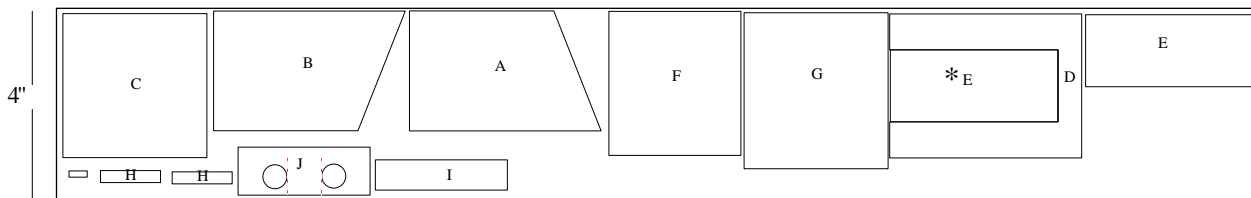
- Balsa Wood or Hardwood 4" x 25". See layout below.
- Wood Glue
- Paint or Stain-We suggest the water based acrylic paints found in a multitude of colors in arts and crafts stores.
- Sealer - Water Base Varnish found with the acrylic paints or a sealer, such as polyurethane.

Optional: Small hinges for door, purchased from craft store.

Tools

- For Hardwood - Saw for cutting out small parts, such as a jigsaw or coping saw
- For Balsa Wood - X-ACTO knife and metal ruler
- Ruler and Pencil - A plastic see-thru ruler with a 1/8" grid is helpful.
- T-square
- Small clamps to hold pieces while drying. The X-ACTO clamps for small pieces are good if you have some.

Suggested Layout



Grain of Wood

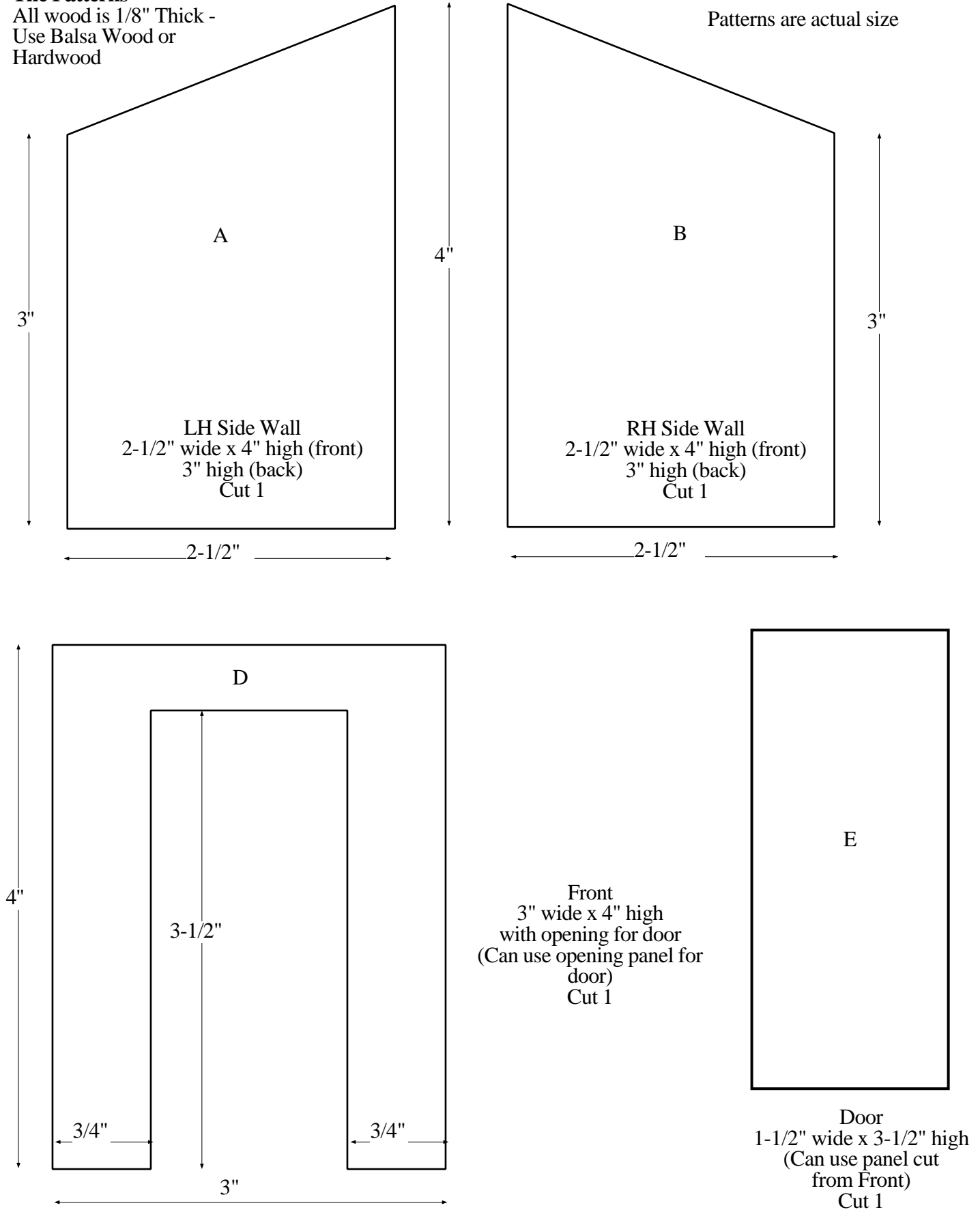
25"

*E Door
Can use piece cut from D or cut separately

The Patterns

All wood is 1/8" Thick -
Use Balsa Wood or
Hardwood

Patterns are actual size



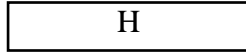
The Patterns

All wood is 1/8" Thick -
Use Balsa Wood or
Hardwood

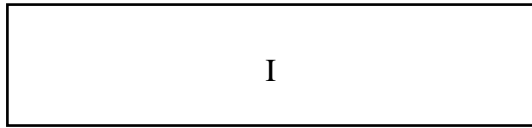
Patterns are actual size



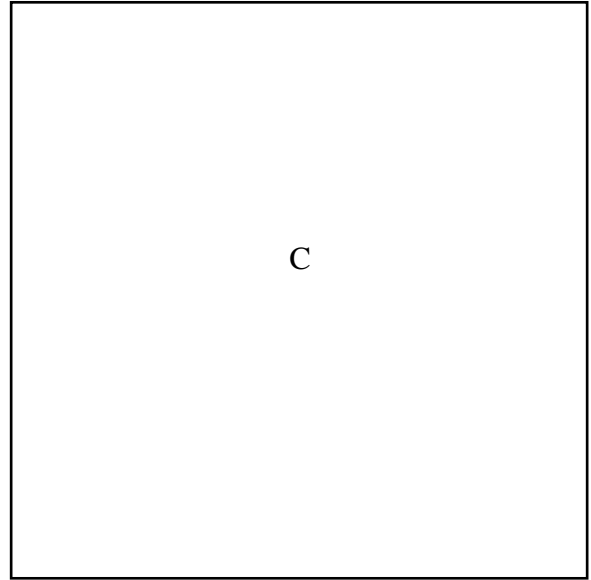
Door Handle & Lock
1/8" x 3/8"
Cut 2



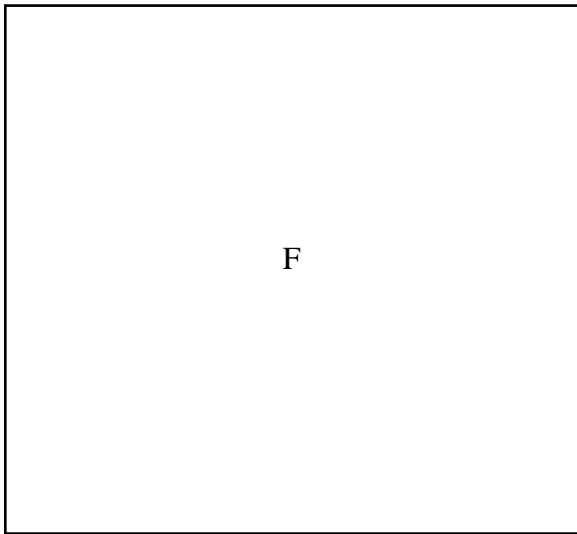
Door Trim
1/4" x 1-1/4"
Cut 2



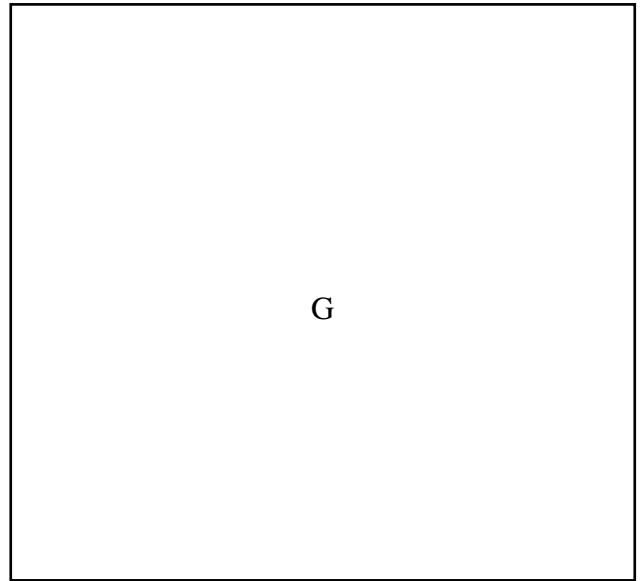
Seat Front
2-3/4" wide x 5/8" high
Cut 1



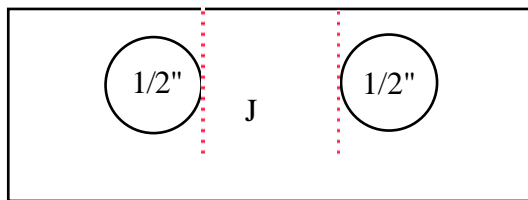
Back
3" wide x 3" high
Cut 1



Floor
3" wide x 2-3/4" high
Cut 1



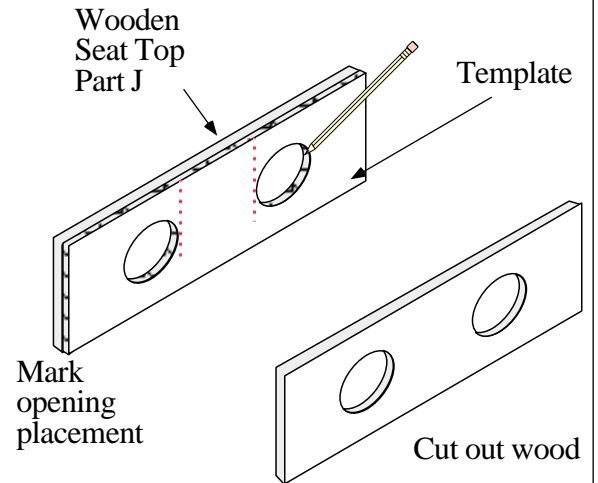
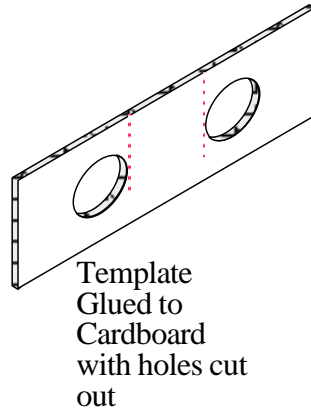
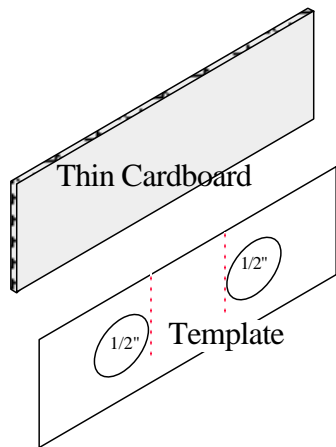
Roof
3-1/4" wide x 3" high
Cut 1



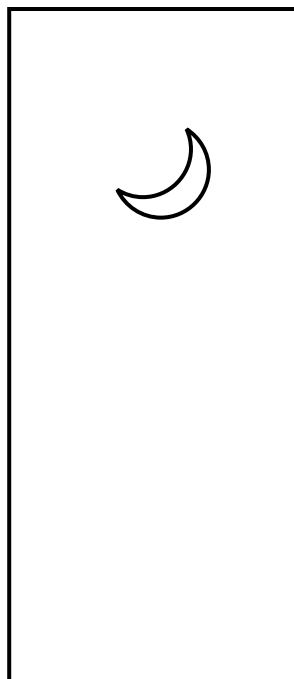
Seat Top
2-3/4" wide x 1" high
Cut 1

Templates Hint: You may wish to copy the templates on a copy machine and use the copy, leaving the original intact with the instructions. In order to use your template numerous times, loosely cut out the template (leaving a small border around the cutting lines)

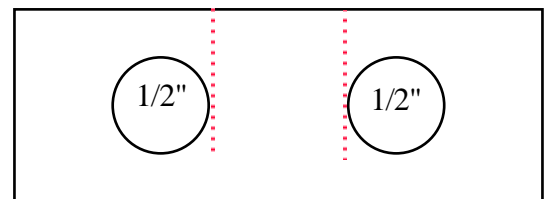
- Glue the loosely cut-out template to a scrap piece of thin cardboard.
- Carefully cut out the pattern and cardboard together.
- Cut out the holes in the reinforced template.
- Place template over the corresponding cut out wooden door or seat top.
- With pencil, mark placement of the hole onto the wood.



The Templates - Cut Out and Use



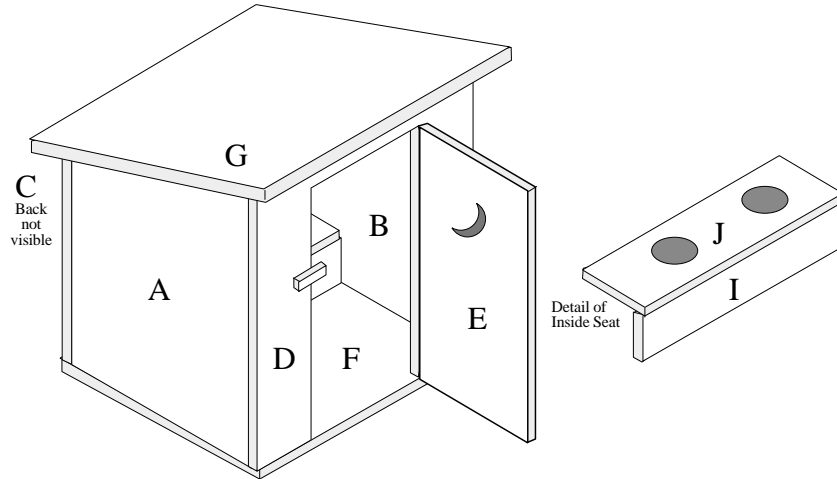
Template for hole in Door



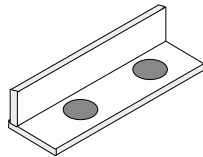
Template for holes in Seat Top

or drill 1/2" holes

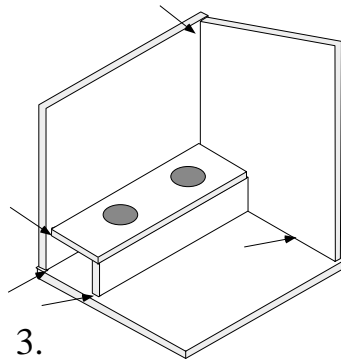
Assembly



1. Cut out all Parts. Using the templates as guides, cut out holes for seat and door.

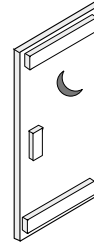


2. Lay the seat top upside down on a flat surface. Glue the seat front to the seat top along one edge. Clamp to keep a square corner until dry.

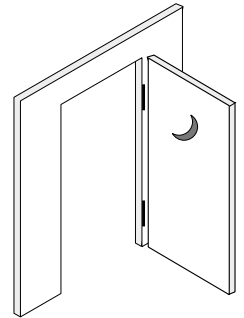


3. Glue the back wall to the floor. Position the assembled seat and glue it against the back wall and the floor. Position the side wall and glue it to the back wall and floor, as shown.

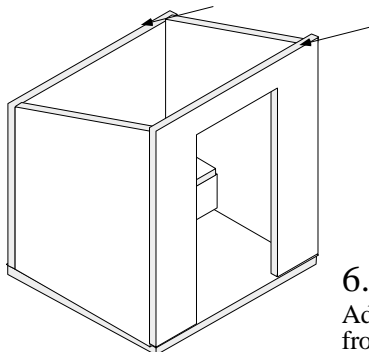
Note: If you plan to paint the inside of the outhouse, do so before you add the front section.



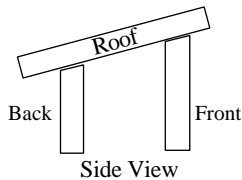
4. Glue Door Trims and Handle in place



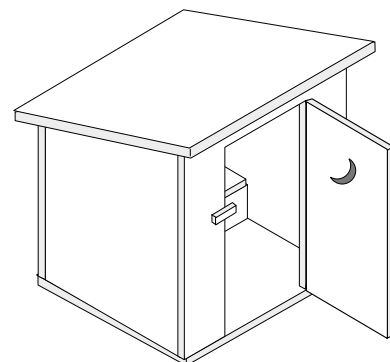
5. Optional If you are adding hinges for an opening door, do so prior to setting the front wall in place.



In order to make the roof fit closely, sand off the inside edge of the top of the front and back walls, as per exaggerated illustration below.



6. Add the other side wall and the front wall, glueing to each other and to the floor, as you go. Clamp walls until dry.



Outhouse is now ready to paint or stain and seal on the outside walls and roof.

7. Center and glue the roof in place. Glue door in an open position of your choice if you do not have an opening door. Add the "lock" by inserting a tiny nail through the center of the lock and bending it on the inside.